

Eco-Tech[®] Alternators

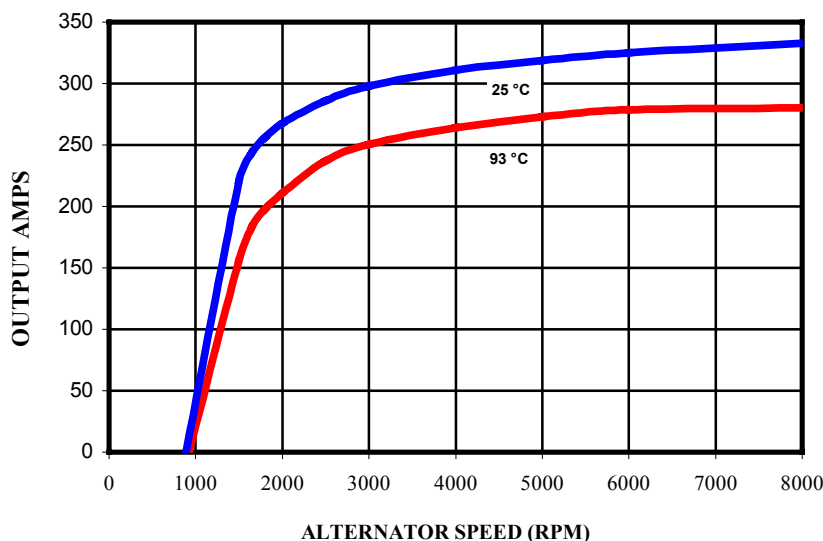
FEATURES AND BENEFITS

- Eco-Tech[®] alternator produces about 80% of its rated output at idle, that is 2 to 4 times the output of similar size Lundell alternators.
- Designed for vehicles that spend significant operating time at idle. Typical applications are fire, ambulance, shuttle bus, utility trucks, tow trucks and other high amps demanding vehicles.
- High efficiency
- Eliminate 51%-52% fuel penalty caused by high idle
- Patented technology
- Voltage set point 14.4 V
- Permanent magnet and wound rotor design
- One wire hook up, self exciting
- Soft start
- Large brushes for longer life
- Heavy duty bearings
- Over voltage protection
- Load dump protection
- Three high efficiency internal fans



OUTPUT PERFORMANCE

Stabilized and Tested @14.4 V Per SAE J56



ECOAIR CORP.

Four Industrial Circle, Hamden, CT 06517

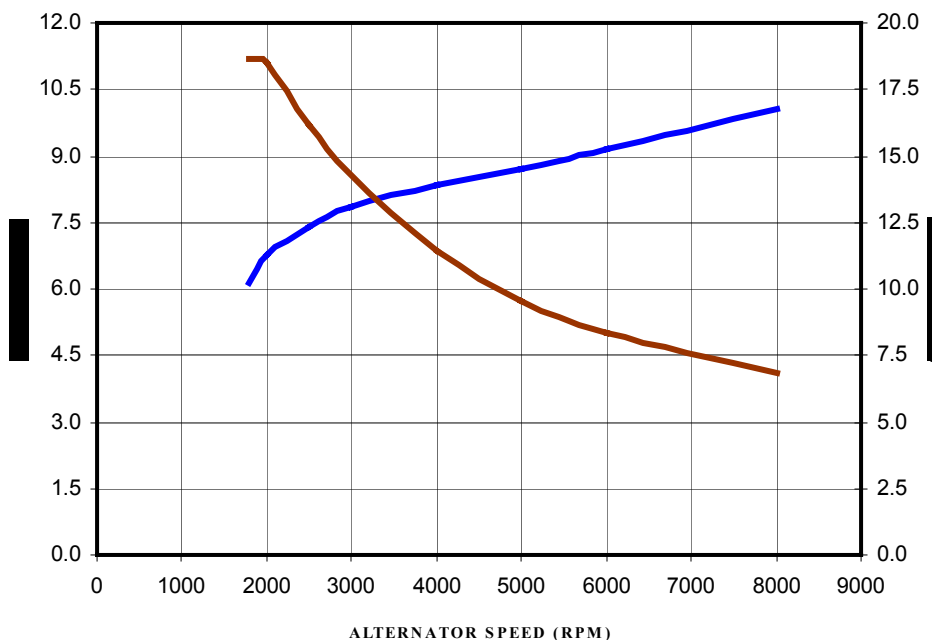
Phone (866) 230-3100, Fax (203) 230-3200 www.ecoair.com, E-mail: sales@ecoair.com

Eco-Tech[®] Alternators

SPECIFICATIONS

Operating temperature range:	-40 to +200°F
Voltage Set point:	14.4 V +/-0.2V
Efficiency @1800 RPM:	80%
Rotation direction:	CW
Max. Continuous Speed:	8,000 RPM
Max. Intermittent Speed:	10,000 RPM
Excitation type:	Self
Ground:	Negative
Weight:	38 Lbs.

HOUSEPOWER & TORQUE CURVE



ECOAIR CORP.

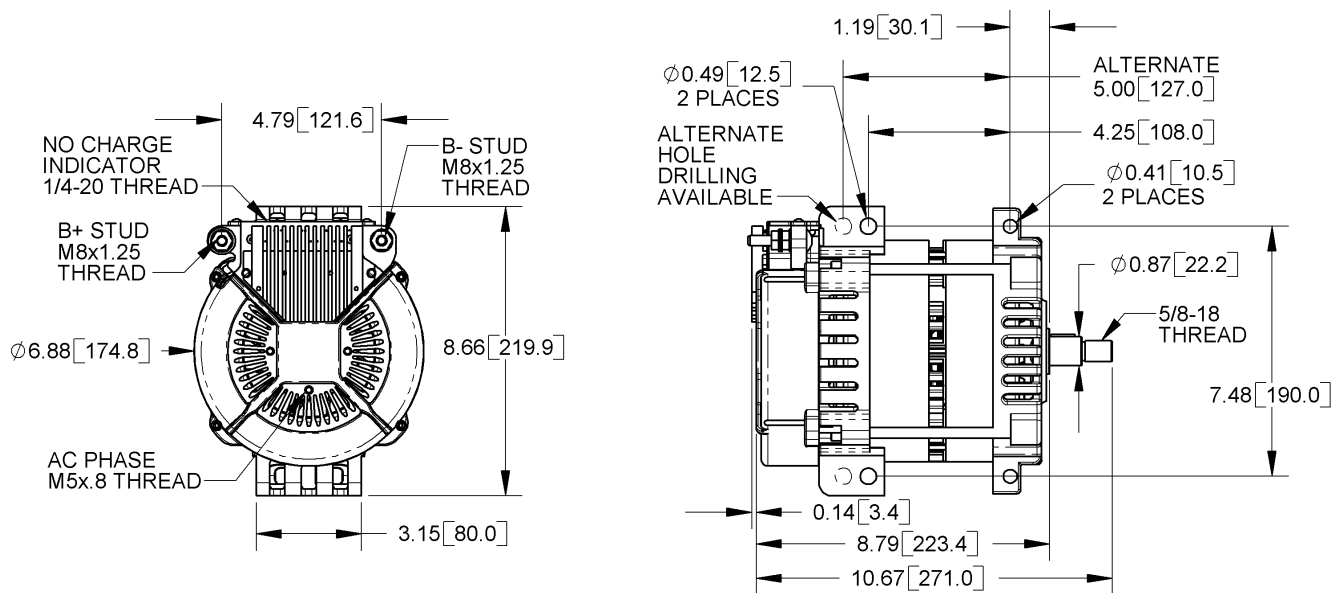
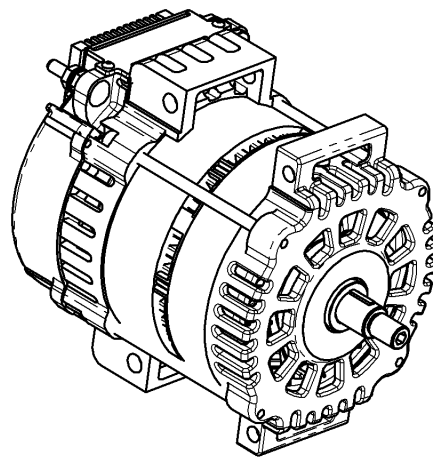
Four Industrial Circle, Hamden, CT 06517

Phone (866) 230-3100, Fax (203) 230-3200 www.ecoair.com, E-mail: sales@ecoair.com

Eco-Tech[®] Alternators

OVERALL DIMENSIONS

P-MOUNT



ECOAIR CORP.

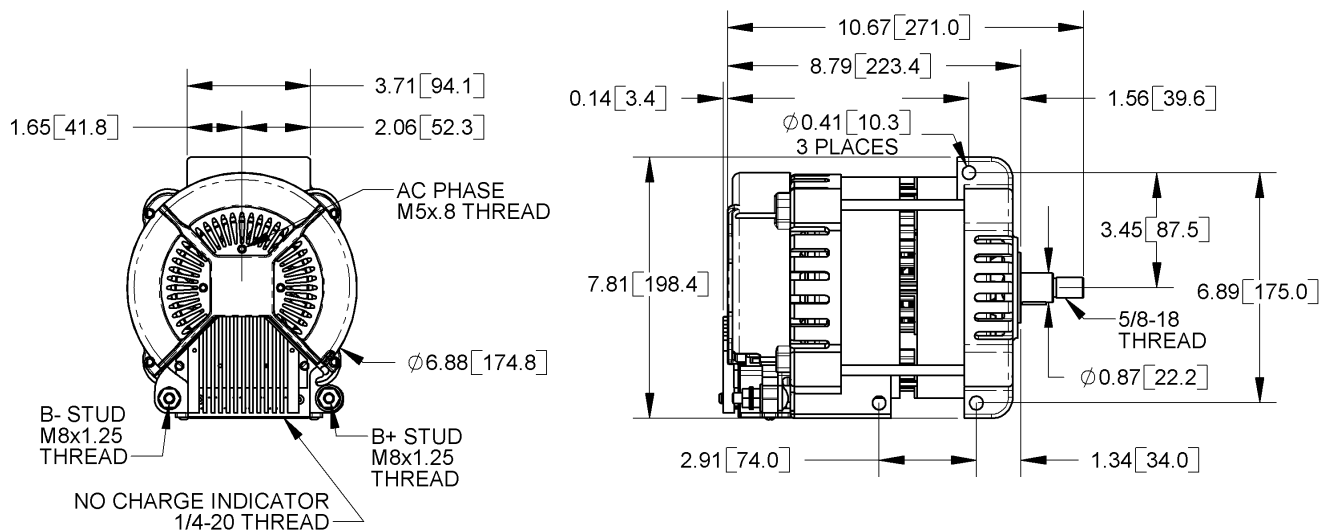
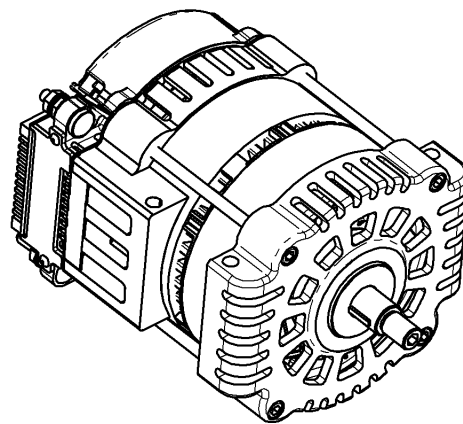
Four Industrial Circle, Hamden, CT 06517

Phone (866) 230-3100, Fax (203) 230-3200 www.ecoair.com, E-mail: sales@ecoair.com

Eco-Tech® Alternators

OVERALL DIMENSIONS

T-MOUNT



"Technology Tuned to Nature"™

ECOAIR CORP.

Four Industrial Circle, Hamden, CT 06517

Phone (866) 230-3100, Fax (203) 230-3200 www.ecoair.com, E-mail: sales@ecoair.com